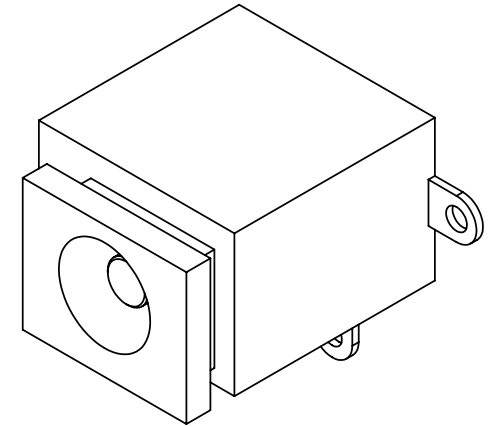
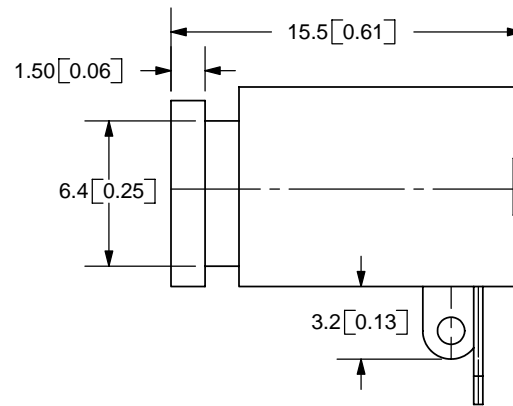
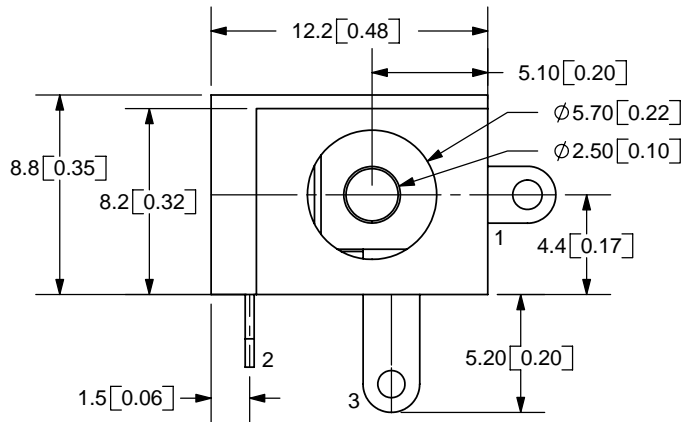
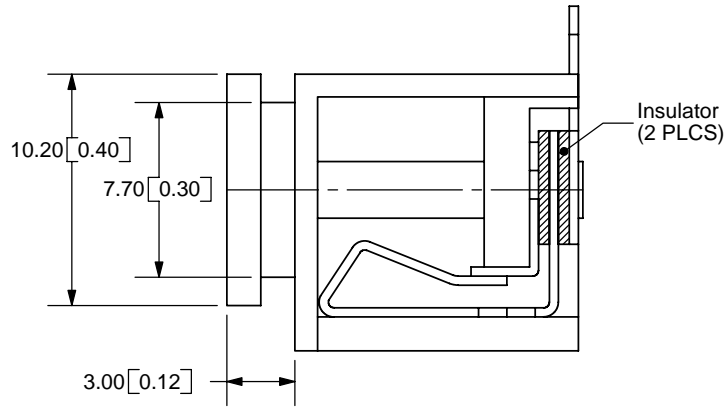


REV.	DESCRIPTION	DATE
A	NEW DRAWING	4/17/2006



TOLERANCE:  
X.X  $\pm 0.2$ mm  
X.XX  $\pm 0.1$ mm  
X.XXX  $\pm 0.05$ mm



**SPECIFICATIONS:**  
RATING: 16V DC @ 2.5A  
CONTACT RESISTANCE: 30m OHMS MAX  
INSULATION RESISTANCE: 50M OHMS MIN: 500V DC  
VOLTAGE WITHSTAND: 500V AC R.M.S. FOR 1 MINUTE  
LIFE: 5,000 CYCLES

MODEL NO.	PJ-008B
SCHMATIC	

CENTER PIN DIAMETER 2.5mm Dia.

	MATERIAL	PLATING
CENTER PIN	Copper	Nickel
TERMINAL 1	Brass	Tin
TERMINAL 2	Copper Alloy	Tin
TERMINAL 3	Brass	Tin
INSULATORS	Vulcanized Fiber	
HOUSING	PBT	



9615 SW Allen Blvd., Ste. 103  
Beaverton, OR 97005  
Phone: 503-643-4899  
800-275-4899  
Fax: 503-372-1266  
Website: www.cui.com

TITLE:	DC POWER JACK	REV:	A
PART NO.	PJ-008B	UNITS:	MM [INCHES]
DRAWN BY:	ZRJ	APPROVED BY:	
		SCALE:	3:1

PC FILE NAME:  
PJ-008B

COPYRIGHT 2006 BY CUI INC.